

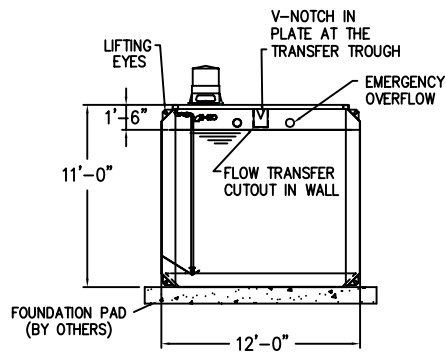
PLANT MODEL NUMBER	DESIGN FLOW GPD	AERATION TANK VOLUME	CLARIFIER TANK VOLUME	SLUDGE TANK VOLUME	CHLORINE CONTACT TANK-VOL.	FLOW EQ. TANK VOLUME	FLOW EQ. BLOWER		MAIN AIR BLOWER	
							HP	CFM	HP	CFM
OPTIONAL EQUIPMENT/ MATERIALS/TANKAGE										
FULL TANK GRATING			ANCHOR BRK'TS		COMMUNUTOR					U V DISINFECTION
BAR TYPE GRATING			MAGNESIUM ANODES		GRINDER PUMPS					
WELDED HANDRAILS			SCH.40 STL. DROP PIPES		PUMP GUIDE RAILS					REMOTE MOUNTED
BOLTED HANDRAILS			GALVANIZED PIPING		EPOXY PAINT SYSTEM					BLOWERS & CONTROLS
HANDRAIL TOEPLATES			STN. STL. DIFFUSERS		DE-CHLORINATION					DOSING TANK
LADDERS/ STAIRWAYS			FROTH SPRAY SYSTEM		GAS CHLORINATION					TERTIARY FILTERS

- NOTES:
- 1.) ALL EXTERNAL PIPING TO THE TANK IS TO BE SUPPLIED AND INSTALLED BY THE INSTALLATION CONTRACTOR.
 - 2.) FOUNDATION PAD MATERIALS AND DESIGN IS DETERMINED BY THE PROJECT ENGINEER AFTER SOIL ANALYSIS IS COMPLETED
 - 3.) MATERIALS FOR ANCHORING OF TANK TO THE FOUNDATION PAD IS TO BE SUPPLIED BY OTHERS
 - 4.) INCOMING ELECTRICAL POWER (AND CONNECTION TO THE CONTROL PANEL IS BY THE ELECTRICAL CONTRACTOR.
 - 5.) AERATION TANK MUST HAVE A FIELD SPLICE ON THE X-X AXIS AND WILL REQUIRE FIELD WELDING DUE TO SHIPPING LIMITATIONS. ANY HANDRAILS, LADDERS OR EQUIPMENT MOUNTED ON TOP OF THE TANK MUST SHIP LOOSE FOR FIELD INTALLATION.
- | | | | |
|----------|------|---|---------|
| REV. | DATE | DESCRIPTION | APPROV. |
| 3-28-13 | | UPDATED BLOWERS AND DROP PIPES | JJM |
| 12-12-12 | | UPDATED EQUALIZATION PUMP PIPING, & GRATING | JJM |

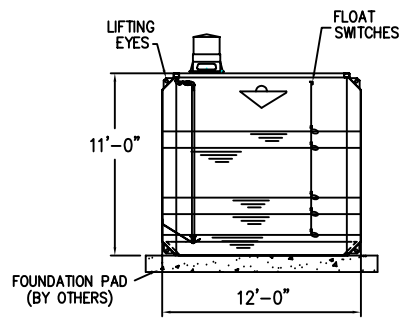
SEE DWG. P08B-ESC FOR SECTION VIEWS

PCS Pollution Control Systems, Inc.
 5827 Happy Hollow Ln, Suite 1B
 Milford, Ohio 45150
 (513) 831-1165
 E-mail: PolConSys@aol.com

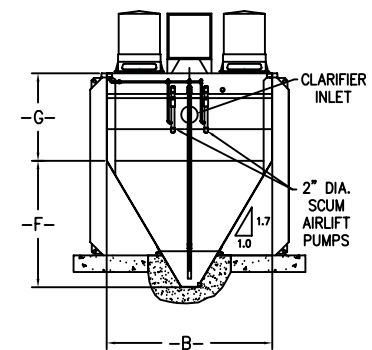
PREFABRICATED PACKAGE WASTEWATER PLANT			
SCALE:	NTS	PROJECT NO.	
DRAWN BY:	JJM	DATE:	6/30/98
CHECKED BY:	JJM	DATE:	7/1/98
SHEET	1 OF 2	DRAWING NO.	P08A-ESC



VIEW A-A



VIEW C-C



VIEW B-B

SEE DWG. P08A-ESC FOR PLAN AND ELEVATION VIEW.

NOTES:

- 1.) ALL EXTERNAL PIPING TO THE TANK IS TO BE SUPPLIED AND INSTALLED BY THE INSTALLATION CONTRACTOR.
- 2.) FOUNDATION PAD MATERIALS AND DESIGN IS DETERMINED BY THE PROJECT ENGINEER AFTER SOIL ANALYSIS IS COMPLETED
- 3.) MATERIALS FOR ANCHORING OF TANK TO THE FOUNDATION PAD IS TO BE SUPPLIED BY OTHERS
- 4.) INCOMING ELECTRICAL POWER (AND CONNECTION TO THE THE CONTROL PANEL IS BY THE ELECTRICAL CONTRACTOR.

▲	3-22-13	UPDATED DROP PIPES	KP
▲	12-12-12	UPDATED EQUALIZATION PUMP PIPING, DROP PIPES & GRATING	CRM
REV.	DATE	DESCRIPTION	APPROV.



Pollution Control Systems, Inc.

5827 Happy Hollow Ln, Suite 1B
 Milford, Ohio 45150
 (513) 831-1165
 E-mail PolConSys@aol.com

THIS DRAWING CONTAINS INFORMATION THAT IS PROPRIETARY TO POLLUTION CONTROL SYSTEMS AND IS NOT TO BE USED WITHOUT WRITTEN PERMISSION OF POLLUTION CONTROL SYSTEMS INC.

PREFABRICATED PACKAGE WASTEWATER PLANT

SCALE: NTS	PROJECT NO.		
DRAWN BY: JJM	DATE: 6/30/98	SHEET	DRAWING NO.
CHECKED BY: JJM	DATE: 7/1/98	2 OF 2	P08B-ESC